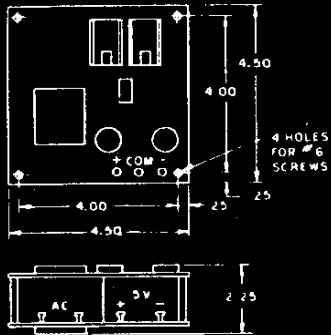
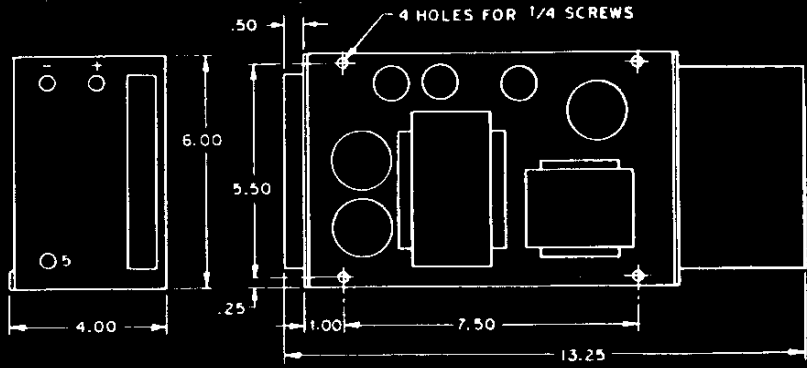


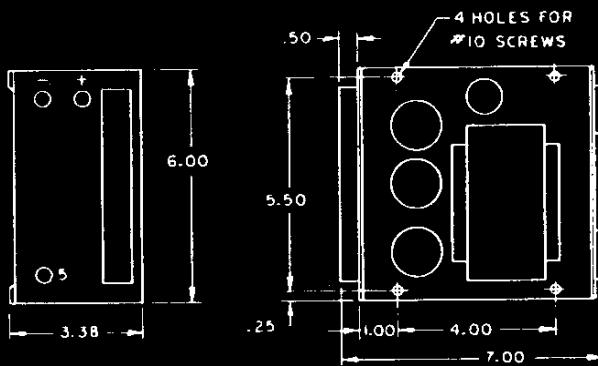
DIMENSIONAL DRAWINGS



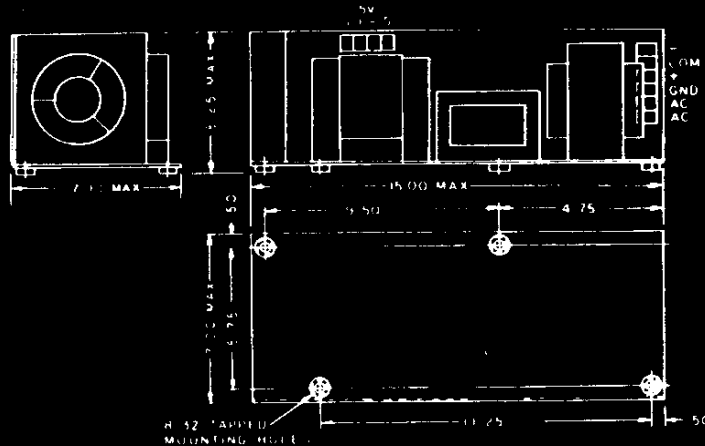
MODEL 300



MODEL 302



MODEL 301



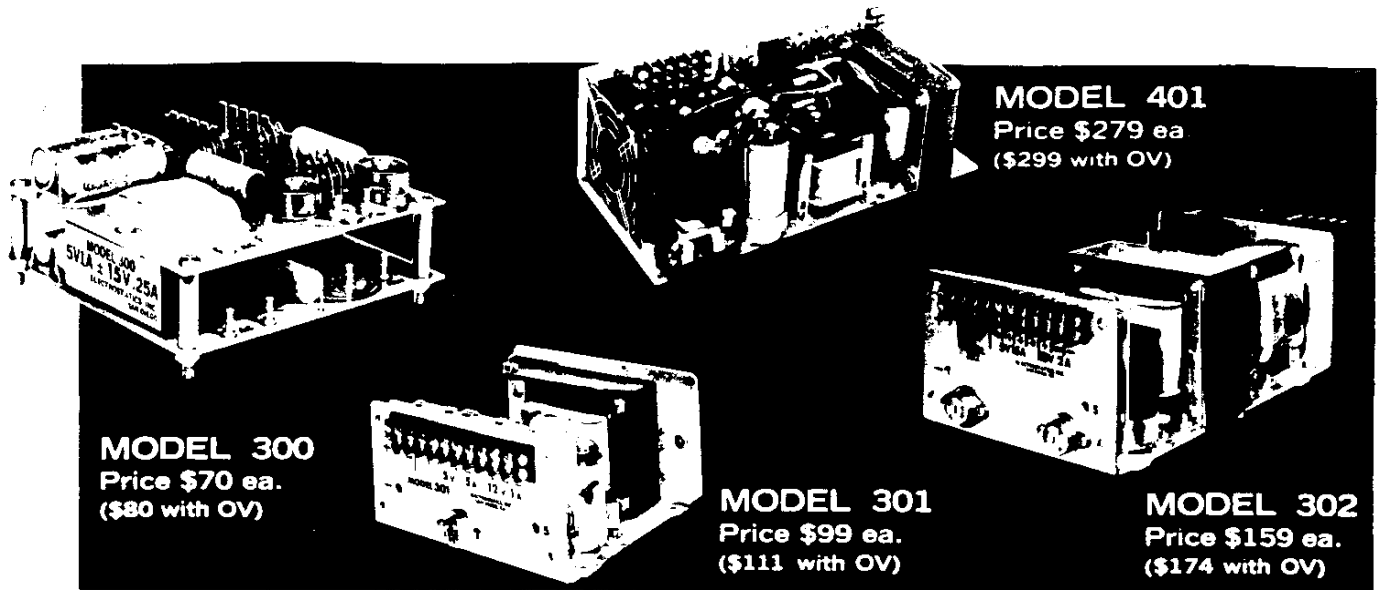
MODEL 401

Electrostatics, inc.

7718 CLAIREMONT MESA BLVD / SAN DIEGO, CALIFORNIA 92111 / (714) 279-1414

TRIPLE DC POWER SUPPLIES

IMMEDIATE DELIVERY FROM STOCK



MODEL 300

5V at 1A
±12 or 15 at .25A
size 4.5x4.5x2.25*
Weight 2 lbs.

MODEL 301

5V at 5A
±12 or 15 at 1A
size 6.0W x 3.38H x 7.0L*
Weight 6 lbs.

MODEL 302

5V at 15A
±12 or 15 at 2A
size 6.0W x 4.0H x 13.25L*
Weight 16.5 lbs.

MODEL 401

5V at 25A
±12 or 15 at 3A
Size 7.0W x 5.25H x 13.25L*
Weight 22.5 lbs.

*See reverse side for dimensional drawings

Electrical Specifications:

INPUT: 105-125 VAC, 47-420 Hz
(230V OPTIONAL)

REGULATION: LINE: 0.005% or 2 MV MIN (10 VOLT CHANGE)
LOAD: 0.05% OR 10 MV MIN
(FULL LOAD CHANGE)

RIPPLE: LESS THAN 500 MICROVOLTS

IMPEDANCE: 100 Hz - 0.001 OHMS
1 KHz - 0.005 OHMS
10 KHz - 0.01 OHMS
100 KHz - 0.1 OHMS

RECOVERY TIME: 25 MICROSECONDS

OVERSHOOT: NONE ON TURN ON OR OFF

TEMPERATURE: OPERATING -20 TO +71°C
STORAGE -65 TO +85°C
COEFFICIENT 0.01%/°C MAX

CURRENT LIMITING: FIXED - FOLDBACK TYPE -
AUTOMATIC RECOVERY

OUTPUT: FLOATING

SEMICONDUCTORS: SILICON

CAPACITORS: COMPUTER GRADE - 10 YEAR LIFE

OVERVOLTAGE PROTECTION: OPTIONAL

Low Cost and Reliable DC Power Supplies

Electrostatics, Inc.

7718 CLAIREMONT MESA BOULEVARD
SAN DIEGO, CALIFORNIA 92111 (714) 519-1414